

MB&F

HOROLOGICAL LAB
HOROLOGICAL MACHINE N°3 FROG

HOROLOGICAL MACHINE N°3 FROG

FUNCTIONS

05

OPERATING INSTRUCTIONS

07

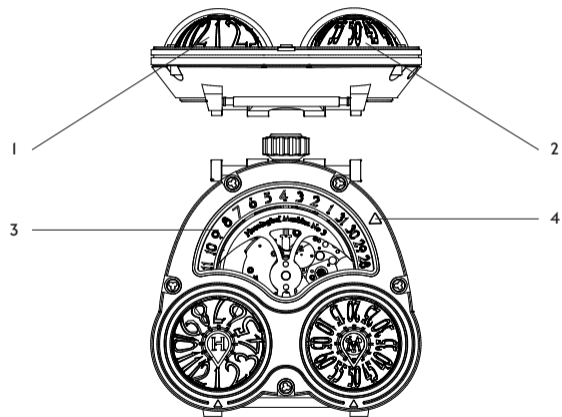
TIME SETTING

09

DATE SETTING

11

HOROLOGICAL MACHINE N°3 FROG

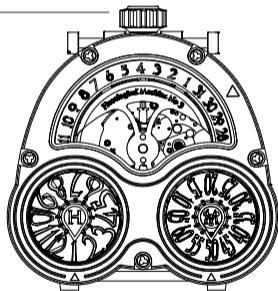


FUNCTIONS

1. Hour
2. Minute
3. Date ring
4. Date indicator

HOROLOGICAL MACHINE N°3 FROG

Position 1



OPERATING INSTRUCTIONS

I. WINDING

Your watch is equipped with an automatic movement and a screwed-down crown.

If it has stopped, turn the crown anticlockwise to slide the crown out and wind the crown a few turns (clockwise).

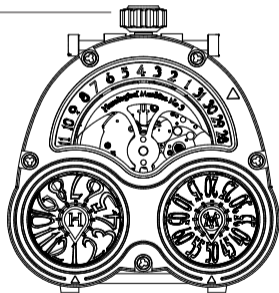
HOROLOGICAL MACHINE N°3 FROG

OPERATING INSTRUCTIONS

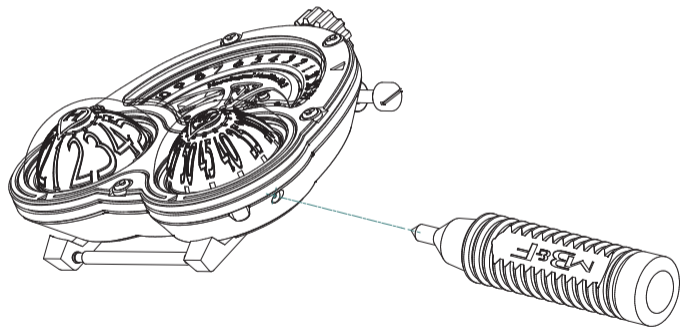
2. TIME SETTING

«Out» position : turn the crown anticlockwise and slide it fully out.
Turn the crown to correct time.

Position 2



HOROLOGICAL MACHINE N°3 FROG



OPERATING INSTRUCTIONS

DATE SETTING

To adjust the date, gently position the supplied tool in the corrector hole, which is located on the right-hand side of the case.

Warning: to avoid damaging the date gear train, do not adjust the date between 8.00 p.m. and 3.00 a.m.

