

MOONMACHINE

MB&F
AND
SARPANEVA

MOONMACHINE

FUNCTIONS

05

WINDING

07

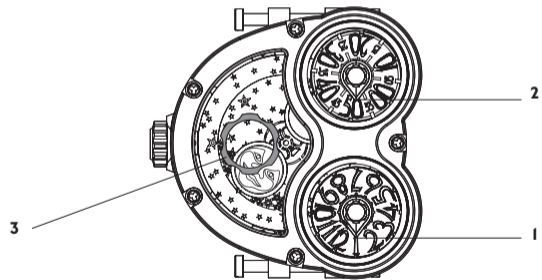
TIME SETTING

09

MOON PHASE SETTING

11

MOONMACHINE

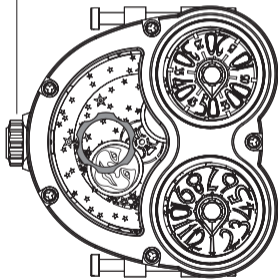


FUNCTIONS

1. HOUR
2. MINUTE
3. MOON PHASE

MOONMACHINE

Position I



OPERATING INSTRUCTIONS

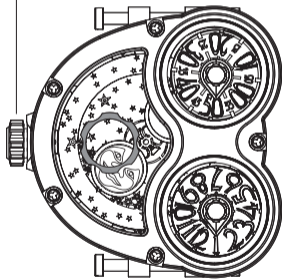
I. WINDING

Your watch is equipped with an automatic movement and a screwed-down crown.

If it has stopped, turn the crown anticlockwise to slide the crown out (position I) and wind the crown a few turns (clockwise).

MOONMACHINE

Position 2

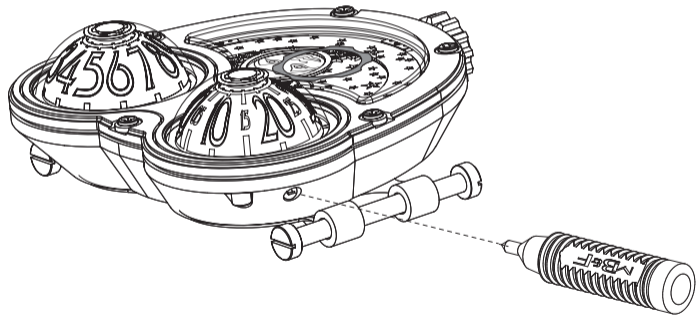


OPERATING INSTRUCTIONS

2. TIME SETTING

Turn the crown anticlockwise and slide it fully out (position 2).
Turn the crown to correct time.

MOONMACHINE



OPERATING INSTRUCTIONS

3. MOON PHASE SETTING

To adjust the moon phase, gently position the supplied tool in the corrector hole, which is located on the top of the case.

Warning: to avoid damaging the moon phase gear train, do not adjust the moon phase between 8:00 pm and 3:00 am.

