

MB&F

**HOROLOGICAL LAB
LEGACY MACHINE N° 1**

LEGACY MACHINE N° 1

FUNCTIONS

05

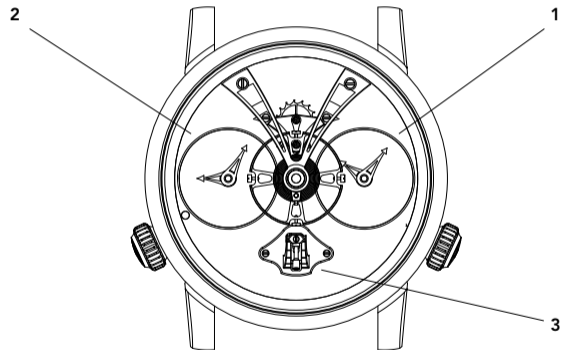
OPERATING INSTRUCTIONS WINDING

07

OPERATING INSTRUCTIONS TIME SETTING

09

LEGACY MACHINE N° 1

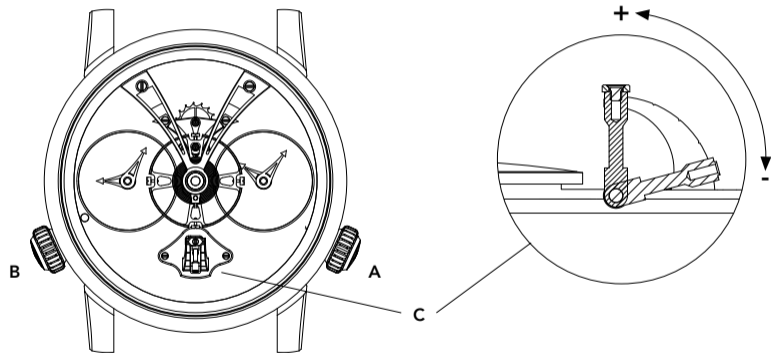


FUNCTIONS

1. HOME TIME ZONE
2. SECOND TIME ZONE
3. POWER RESERVE INDICATOR

NOTE: THE TIME ZONES ARE FULLY INDEPENDENT FROM ONE ANOTHER.

LEGACY MACHINE N° 1



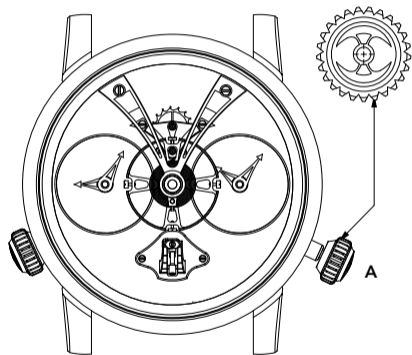
OPERATING INSTRUCTIONS

WINDING

Your watch is equipped with a manual winding movement.

If it has stopped, wind the Home Time crown (A) in position "In" till the maximum power reserve capacity (C). When the lever is completely raised the capacity is full and when the lever is down the capacity is empty.

LEGACY MACHINE N° 1



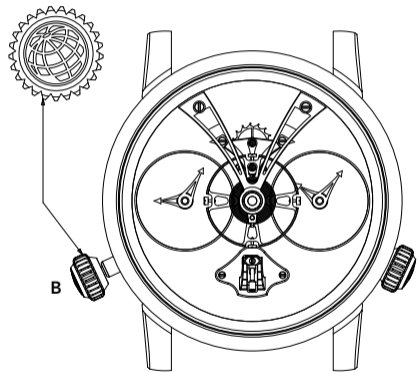
OPERATING INSTRUCTIONS

TIME SETTING

Crown (A) position "Out": Turn the crown to set the Home Time zone.

Slide the crown back against the case when finished.

LEGACY MACHINE N° 1



OPERATING INSTRUCTIONS

TIME SETTING

Crown (B) position "Out": Turn the crown to set the Second Time zone.

Slide the crown back against the case when finished.

