

MB&F

HOROLOGICAL LAB

HMX

HMX

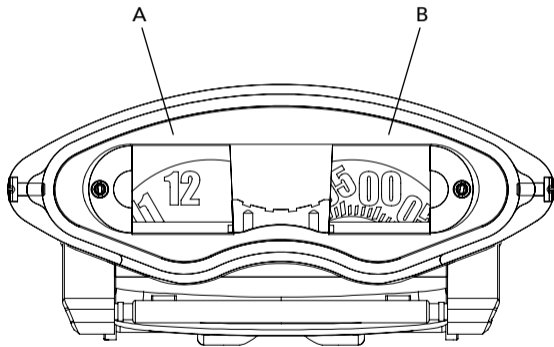
FUNCTIONS

05

OPERATING INSTRUCTIONS WINDING / TIME SETTING

07

HMX

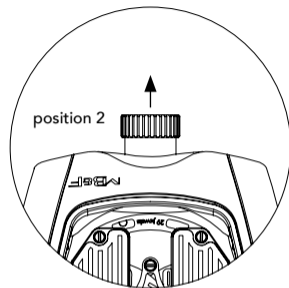
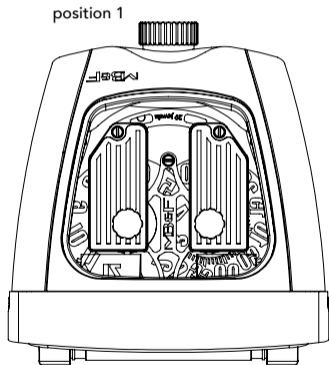


FUNCTIONS

A HOUR
 Bi-directional jumping hour

B MINUTE

HMX



OPERATING INSTRUCTIONS

WINDING

Your watch is equipped with an automatic movement.

If it has stopped, wind the crown (**position 1**) a few turns clockwise.

TIME SETTING

Pull the crown "out" (**position 2**) and rotate to set the time.

The time can be set forward or backwards by rotating clockwise or anti-clockwise.

